

OVERFLOW RISER VALVES

The Waterman line of OVERFLOW RISER VALVES began with our original design, known as a Yakima Valve, featuring a simple single ring frame for installation in concrete pipe. In recent years frame adaptations have been made for use with steel, and plastic (PIP) low-head irrigation pipe. Cover styles have been added and now include our popular "Red Top" high-strength concave and ribbed design, a smooth convex (domed) "Sunshine" design, and our "Pasture" design which features a flush, key operated, self-cleaning stem, for use in areas where livestock are present.

Threads available include our popular high strength National Standard (vee) thread form, many sizes having fast action, double or triple lead threads and a rugged modified acme thread form (acme) for use where shipping or handling damage may be expected. Note: National Standard Threads (vee) will be provided on "Red Top" Valves unless acme is specified, and acme threads will be provided on 6 inch and larger "Sunshine" and "Pasture" Valves unless national standard (vee) threads are specified.

Special threads to interchange with "Martin" and "Snow" Valves can often be provided. Contact the factory with your requirements.

FEATURES

- High Strength, close-grained grey iron frame and cover
- Cast bronze screw with fully machined threads and seal ring.
- Continuous ring, synthetic rubber cover packing and a long-life friction resistant synthetic washer seal.
- Cast-in-place bronze bushing and solid bronze assembly nut.



**Red Top Overflow Valve
with Yakima Frame (solid arch)**



**Sunshine Overflow Valve
with Patented CIP Frame**

SELECT:

- Cover Style
- Thread Form
- Frame Type

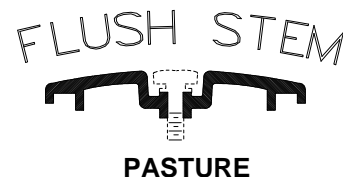
Maximum Operating Heads:

6" - 12", 25 feet; 14", 20 feet; 18" - 20", 15 feet; 24", 10 feet;
30" - 36", 10 feet

Maximum Static Heads:

6" - 12", 50 feet; 14", 35 feet; 18" - 20", 30 feet; 24", 20 feet;
30" - 36", 15 feet.

See page 13A for
Frame Installations Suggestions



OVERFLOW RISER VALVES



**Yakima Overflow Valve
Yakima Type Frame
(Solid Arch)**



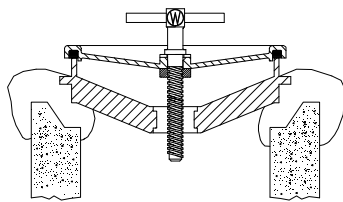
**PASTURE Overflow Valve
with Type 4 frame.**

Note the smooth, slightly domed cover and flush stem. These options serve to protect livestock and reduce problems with vandalism. A hand key or longer key-type spinner handle (ordered separately) is used to open and close the valve.

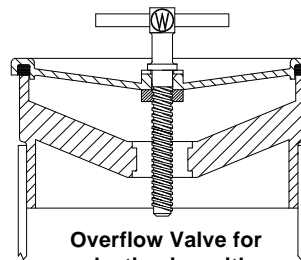


SELECT:

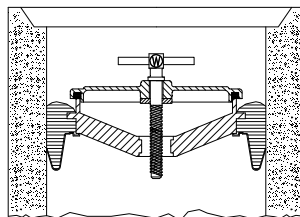
- COVER STYLE
- THREAD FORM
- FRAME TYPE



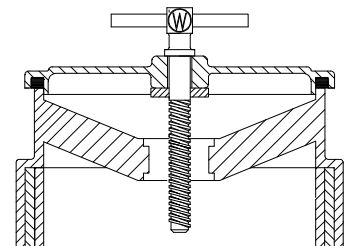
**Typical up location,
Red Top cover,
Yakima frame
Overflow Valve for
concrete pipe.**



**Overflow Valve for
plastic pipe with
type 4 frame and
Red Top cover.**

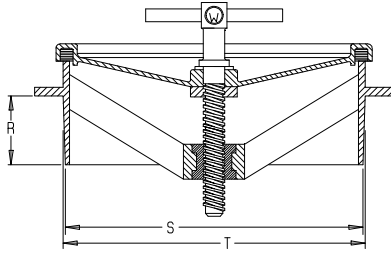


**Typical down-setting,
Yakima frame and
Sunshine cover,
shown with Redi-Set
Ring for concrete pipe.**

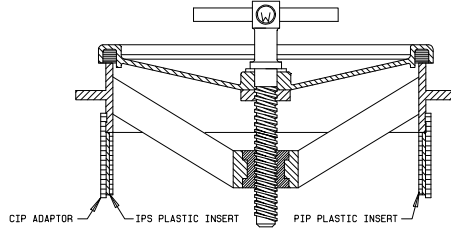


**CIP frame for PIP & IPS plastic
pipe. PVC cement bonded.**

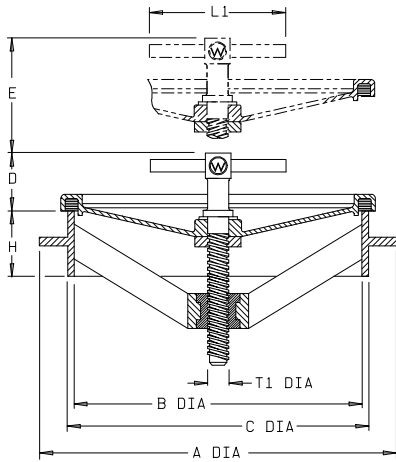
OVERFLOW RISER VALVES



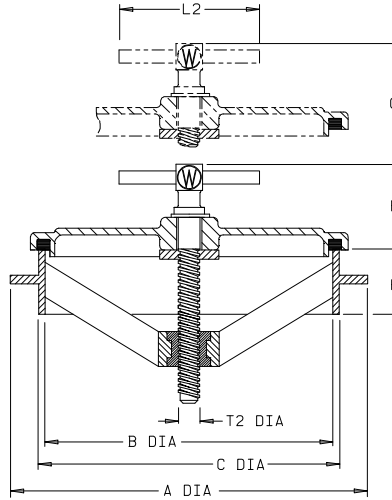
TYPE 4



CIP

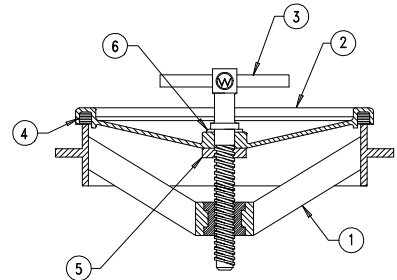


**RED TOP
FOR CONCRETE PIPE**



**SUNSHINE
FOR CONCRETE PIPE**

PARTS LIST		
No.	Name	Qty.
1	Frame	1
2	Cover	1
3	Screw	1
4	Seal	1
5	Nut	1
6	Washer	1

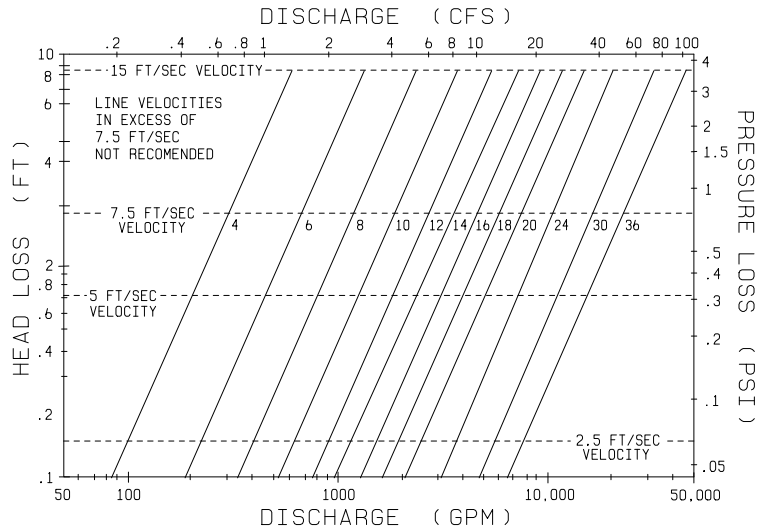


VALVE DIMENSIONS IN INCHES (NOMINAL)

VALVE SIZE	A	B	C	D	E	F	G	H	L1	L2	R	S	T	T1	T2
3	3 ⁹ / ₁₆	2 ⁷ / ₈	3 ³ / ₁₆	2 ¹ / ₂	1 ³ / ₁₆	2 ³ / ₄	3 ⁴ / ₈	1 ⁵ / ₈	3 ¹ / ₈	3 ¹ / ₈	-	-	-	1 ¹ / ₂	1 ¹ / ₂
3 ¹ / ₂	4 ¹ / ₁₆	3 ¹ / ₁₆	3 ¹ / ₂	2 ⁵ / ₁₆	1 ⁵ / ₁₆	2 ⁷ / ₈	1 ⁹ / ₁₆	1 ⁷ / ₁₆	3 ¹ / ₈	3 ¹ / ₈	2 ¹ / ₂	3 ¹ / ₂	3 ⁷ / ₈	1 ¹ / ₂	1 ¹ / ₂
4	4 ¹ / ₂	4	4 ¹ / ₄	2 ³ / ₁₆	1 ³ / ₁₆	2 ⁷ / ₈	1 ³ / ₄	1 ⁹ / ₁₆	3 ¹ / ₈	2 ⁷ / ₈	1 ³ / ₈	3 ¹ / ₁₆	4 ³ / ₁₆	1 ¹ / ₂	1 ¹ / ₂
5	5 ⁷ / ₈	5	5 ³ / ₈	2 ¹ / ₄	2 ¹ / ₁₆	2 ¹ / ₁₆	1 ⁵ / ₈	1 ⁷ / ₈	3 ¹ / ₈	2 ⁷ / ₈	3 ¹ / ₄	5 ⁷ / ₁₆	5 ⁷ / ₈	1 ¹ / ₂	1 ¹ / ₂
6	6 ³ / ₈	6	6 ¹ / ₄	2 ³ / ₈	2 ¹ / ₁₆	2 ¹ / ₁₆	3 ¹ / ₈	1 ¹ / ₁₆	3 ³ / ₄	3 ³ / ₄	3 ¹ / ₄	5 ¹ / ₂	5 ¹ / ₁₆	5 ⁵ / ₈	5 ⁵ / ₈
6 ¹ / ₂	7 ¹ / ₈	6 ¹ / ₂	6 ³ / ₄	2 ⁵ / ₈	2 ¹ / ₂	2 ⁷ / ₈	2 ⁵ / ₁₆	2	3 ³ / ₄	3 ³ / ₄	-	-	-	5 ⁵ / ₈	5 ⁵ / ₈
8	9 ¹ / ₄	8 ³ / ₈	8 ⁵ / ₈	2 ³ / ₈	2 ³ / ₁₆	3 ¹ / ₈	2 ⁷ / ₈	2 ¹ / ₄	3 ³ / ₄	3 ³ / ₈	3	7 ¹ / ₄	7 ⁷ / ₈	5 ⁵ / ₈	5 ⁵ / ₈
10	10 ³ / ₄	10	10 ⁵ / ₁₆	2 ¹ / ₁₆	4	3 ¹ / ₁₆	3 ⁷ / ₈	2 ¹ / ₈	4 ¹ / ₂	5	3	9 ⁵ / ₈	9 ¹ / ₁₆	3 ³ / ₄	7 ⁷ / ₈
12	12 ¹ / ₁₆	12	12 ¹ / ₂	2 ⁵ / ₁₆	4	3 ³ / ₁₆	3 ³ / ₄	1 ¹ / ₁₆	4 ¹ / ₂	7	3 ³ / ₈	11 ⁵ / ₁₆	11 ⁷ / ₈	3 ³ / ₄	1 ¹ / ₈
14	15 ¹ / ₈	14	14 ¹ / ₂	2 ³ / ₄	4	3 ³ / ₁₆	6 ¹ / ₈	2 ³ / ₁₆	5	8				7 ⁷ / ₈	1 ¹ / ₈
14 x 15	-	-	-	-	-	-	-	-	-	-	4	14 ¹ / ₈	14 ³ / ₄	-	-
16	17 ¹ / ₂	16 ³ / ₈	17	1 ³ / ₈	4 ³ / ₄	4 ⁵ / ₁₆	4 ⁵ / ₁₆	2 ³ / ₈	8	8	-	-	-	1 ¹ / ₄	1 ¹ / ₄
18	19 ¹ / ₂	18 ³ / ₈	19	1 ⁵ / ₁₆	6 ⁷ / ₁₆	4 ⁹ / ₁₆	6 ¹ / ₄	2 ¹ / ₂	8	8	4	17 ⁵ / ₁₆	17 ⁷ / ₈	1 ¹ / ₄	1 ¹ / ₄
20	21 ¹ / ₁₆	20 ³ / ₈	20 ¹ / ₁₆	1 ¹ / ₈	6 ¹ / ₂	3 ¹ / ₁₆	6 ¹ / ₄	2 ¹ / ₂	8	8	4	19 ⁵ / ₁₆	19 ⁷ / ₈	1 ¹ / ₄	1 ¹ / ₄

PERFORMANCE CHART & PARTS GUIDE

Flow through various size overflow valves, with corresponding pressure loss at rate of discharge



SUNSHINE OVERFLOW VALVE PARTS GUIDE *								
SIZE	COVER	SCREW	YAKIMA FRAME (CONCRETE)	TYPE-4 FRAME (IPS-PIP)	CIP FRAME (IPS-PIP)			
3½"	W656 3½SS	½"W506B 5S	W102 3½Y	W1196	-			
4"	W1655 4SS	½"W506B 5S	W117 4Y	W1296	W1751-CIP			
5"	W1035SS 5SS	½"W598B 5SL	W118 5Y	W1155	-			
5" X 6"	W1035SS 5SS	½"W596B 5SL	W118 5Y	W1195	W1792-CIP			
6"	W925 6SS	¾"W507B 6S	W120 6Y	W1165	W1787-CIP			
6½"	W105SS 6½SS	¾"W507B 6S	W974 6½Y	-	-			
8"	W146 8SS	¾"W683B 6SL	W121 8Y	W1162	W1788			
10"	W141 10SS	7/8"W595B 14S	W142 10SS	-	OV-CIP			
12"	W143 12SS	1½"W512B 12A	W144 12SS	-	OV-CIP			
14"	W148 14SS	1½"W684B 14SS	W149 14SS	-	-			
16"	W149 16SS	1¼"W514B 20A	W129 16Y	-	-			
18"	W147 18SS	1¼"W685B 20SS	W131 18Y	-	-			
20"	W1366 20SS	1¼"W685B 20SS	W133 20Y	-	-			

* Numbers beginning with "W" (example: "W130", etc.) are casting numbers which can be located on each cast part. Numbers which do not begin with "W" are part designations also found on most castings (example: "16A").

RED TOP OVERFLOW VALVE PARTS GUIDE *								
SIZE	COVER	SCREW	YAKIMA FRAME (CONCRETE)	TYPE-4 FRAME (PIP)	CIP FRAME (IPS-PIP)			
3"	W114 3Y	½"W506B 5S	W115 3Y	-	-			
3½"	W101 6-0	½"W506B 5S	W102 3½Y	-	-			
4"	W116 4Y	½"W506B 5S	W117 4Y	W1296	W1757-CIP			
5"	W103 5Y	½"W598B 5SL	W118 5Y	W1195	-			
5" X 6"	W103 5Y	½"W598B 5SL	W118 5Y	-	-			
6"	W119 6Y	¾"W507B 6S	W120 6Y	W1165	W1787-CIP			
6½"	W105 10-0	¾"W507B 6S	W974 6½Y	-	-			
8"	W107 8Y	¾"W507B 6S	W121 8Y	W1162	W1788-CIP			
10"	W122 10Y	¾"W586 10S	W123 10Y	W1163	W1808-CIP			
12"	W124 12Y	¾"W586 10S	W125 12Y	W1164	W1809-CIP			
14"	W126 14Y	¾"W595B 14S	W127 14Y	W2080 W1194	-			
16"	W128 16Y	1¼"W513B 16A	W129 16Y	-	-			
18"	W130 18Y	1¼"W514B 20A	W131 18Y	W1659	-			
20"	W132 20Y	1¼"W514B 20A	W133 20Y	W1660	-			

* Numbers beginning with "W" (example: "W130", etc.) are casting numbers which can be located on each cast part. Numbers which do not begin with "W" are part designations also found on most castings (example: "16A").