

CRP-8 CONTINUOUS ACTING AIR VENT & VACUUM RELIEF VALVE

- CONTINUOUS ACTING
- FULL FLOW
- CORROSION RESISTANT
- SEALS AT LOW PRESSURES
- NOW MORE SENSITIVE AT LOW PRESSURES

USES:

The CRP-8 Continuous Acting, Combination Air Vent and Vacuum Relief Valve is designed for use on all high and low head irrigation systems.

The use of PVC allows the CRP-8 to be used where corrosive chemicals or additives are present.

The newly designed cylindrical float provides excellent sealing, even at low pressures.

FEATURES:

The continuous acting CRP-8 air vent has a minimum seating pressure of under 4 psi and will continuously bleed air up to 85 psi for the 1" model and 100 psi for the 2" & 3" sizes.

The CRP-8 is manufactured to full rated capacity. There are no restrictions reducing air passage to less than the nominal size.

The CRP-8 is molded from rigid PVC compound to resist all chemical and ultra-violet damage. The 2" and larger models feature a cast iron base to provide easy installation and removal without thread damage that sometimes occurs with aluminum or plastic threads.

The CRP-8 is ideal for commercial and industrial applications as well as agricultural use and is a very cost-effective alternative to metal air vents.



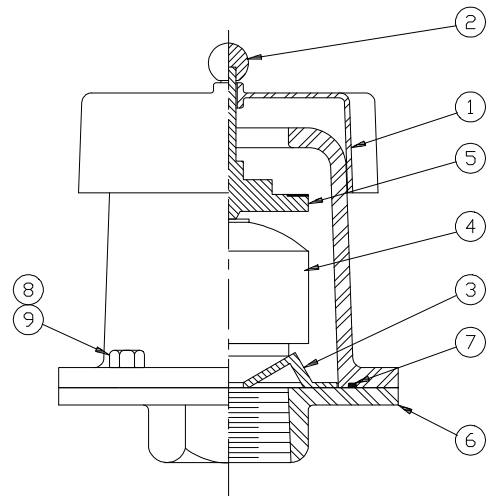
1" Model CRP-8



3" Model CRP-8



2" Model CRP-8



PARTS LIST		
NO.	NAME	QTY.
1	Body Cover	1
2	Indicator Knob	1
3	Baffle	1
4	Float	1
5	Poppet	1
6	Base	1
7	O-Ring	1
8	Hex Head Bolt	8
9	Washer	8