

# CR-101 CONTINUOUS ACTING AIR VENT & VACUUM RELIEF VALVE

- LIGHTWEIGHT ALUMINUM BODY
- LARGE VOLUME EXHAUST AS LINE IS FILLED.
- CONTINUOUSLY RELEASES SMALL POCKETS OF AIR WHILE LINE IS IN OPERATION.
- FOR LINE PRESSURES TO 100 P.S.I.
- WON'T LEAK AT LOW PRESSURES

#### USES:

This continuous acting valve provides air and vacuum protection, insures full line capacity, and conserves pump horsepower. The CR-101 is newly designed to provide sealing at pressures as low as 2 psi.

#### FEATURES:

The Model CR-101 has been especially designed to meet irrigation requirements of dependability, light weight and moderate price. Construction includes high strength aluminum alloy body, baffle, and rubber bonded poppet and a specially designed cylindrical float. The guide rod and assembly hardware are stainless steel. Cast iron is used for the threaded base to provide easy installation and removal without the thread damage which can occur with aluminum threads.

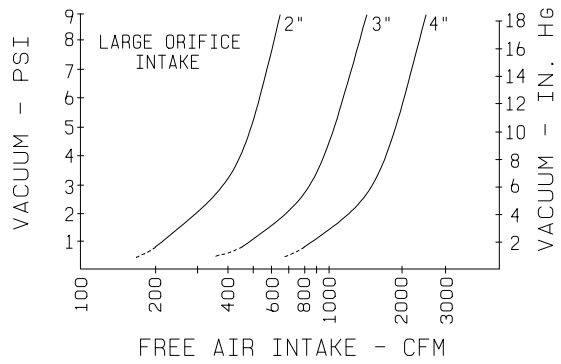
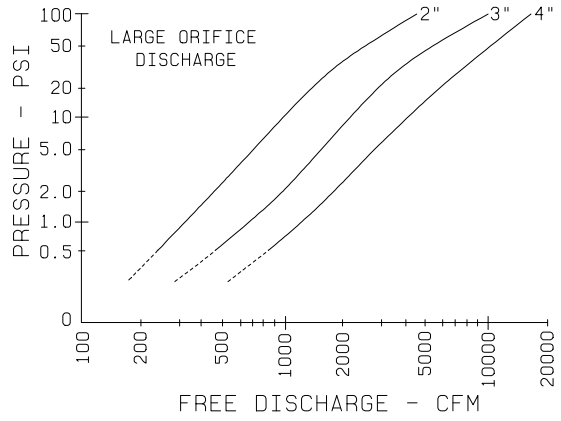
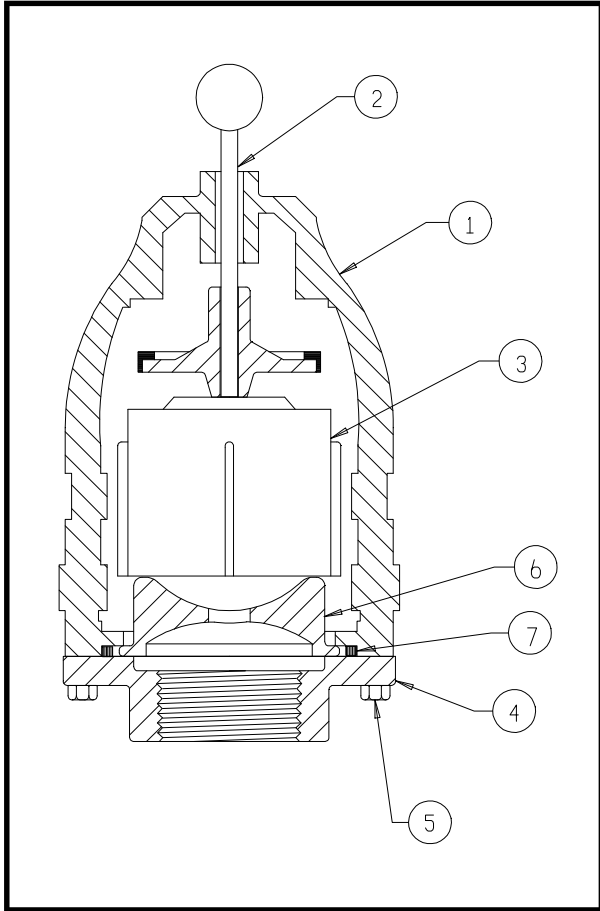
Model CR-101  
2", 3", and 4"



Small Orifice Size:  
2" Valve +  $\frac{1}{16}$ "  
3" & 4" Valve +  $\frac{3}{32}$ "

# CR-101 CONTINUOUS ACTING AIR VENT & VACUUM RELIEF VALVE

A



| PARTS LIST |                  |      |
|------------|------------------|------|
| NO.        | NAME             | QTY. |
| 1          | Body             | 1    |
| 2          | Poppet Assy.     | 1    |
| 3          | Float Ball       | 1    |
| 4          | Base - Cast Iron | 1    |
| 5          | Attaching Bolt   | 4    |
| 6          | Body Gasket      | 1    |

