

AA-96 PRESSURE RELIEF VALVE

- CAST IRON BASE
- AVAILABLE IN 3" AND 4" SIZES
- PRESET PRESSURE OR FIELD SET

USES:

The Waterman Model AA-96 may be used for pressure relief on any pipeline with operating pressures up to 150 PSI where a large volume discharge is needed. The AA-96 meets the requirements of the Soil Conservation Service specifications and has a larger orifice that is a feature not found on most other makes.

FEATURES:

The Model AA-96 is available in three configurations, each filling a specific customer need. The AA-96A has a pressure discharge setting that is factory set for convenience and accuracy. The model AA-96B is designed to be set in the field utilizing actual pipeline pressure. The model AA-96C is factory preset, and includes an aluminum spring housing which protects the top mounted spring from weather and also discourages tampering. Automatic operation is provided by specially manufactured springs that are engineered to provide a high degree of sensitivity and provide maximum discharge.

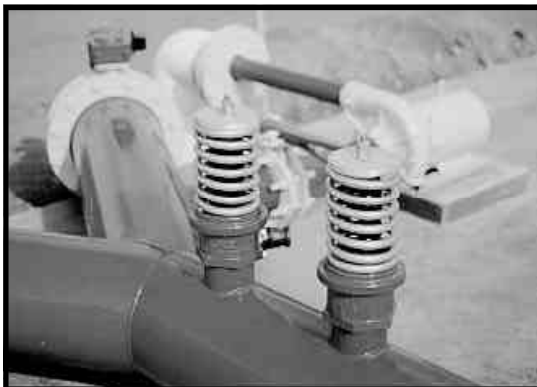
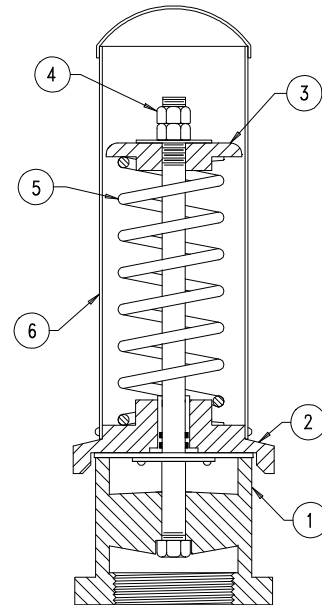
Materials have been selected to provide long life, minimize maintenance and provide "fail-safe" performance. A Teflon seal face and bushing prevent sticking, even after long periods of exposure to sunlight and heat. A rubber composition seal backing is cloth inserted to prevent seal "blow-out" or creep. The threaded base is high strength cast iron to eliminate thread galling or "freezing" which may occur with aluminum threads. Spring retainer is aluminum and cover is high strength cast iron. Guide rod and all fasteners are stainless steel. Galvanized or plated hardware is never used.



AA-96B

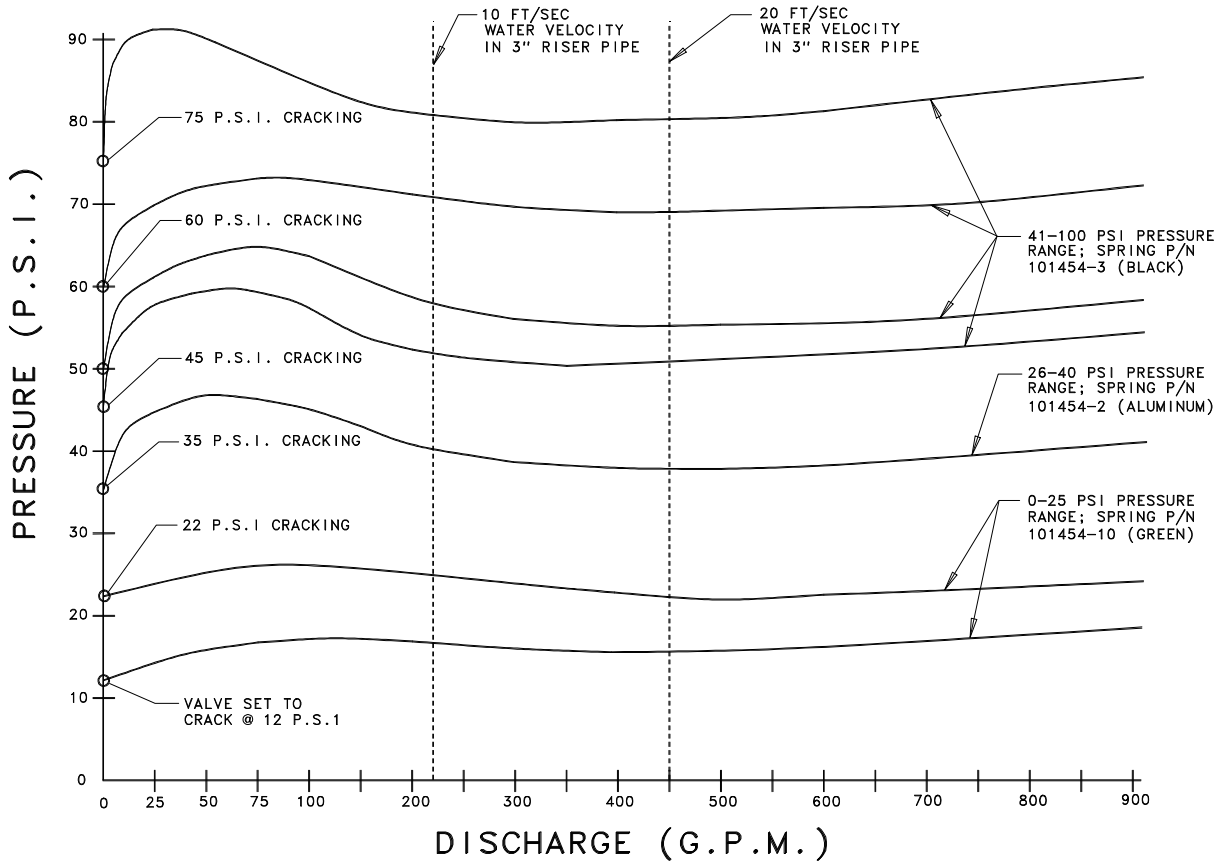
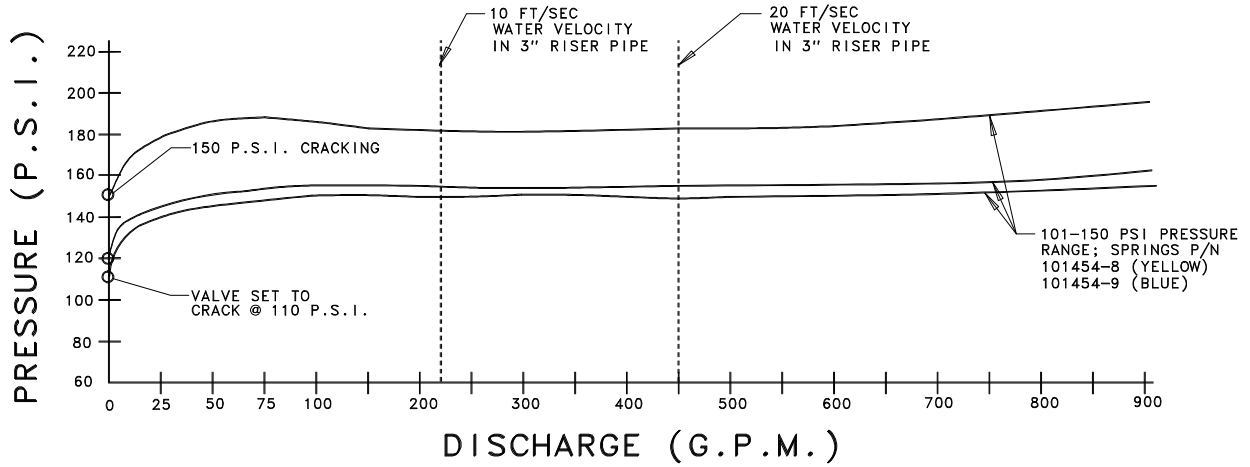


AA-96C



PARTS LIST		
No.	Name	Qty.
1	Base	1
2	Cover Assembly	1
3	Spring Retainer	1
4	Guide Rod Assembly	1
5	Spring	1
6	Spring Housing	1

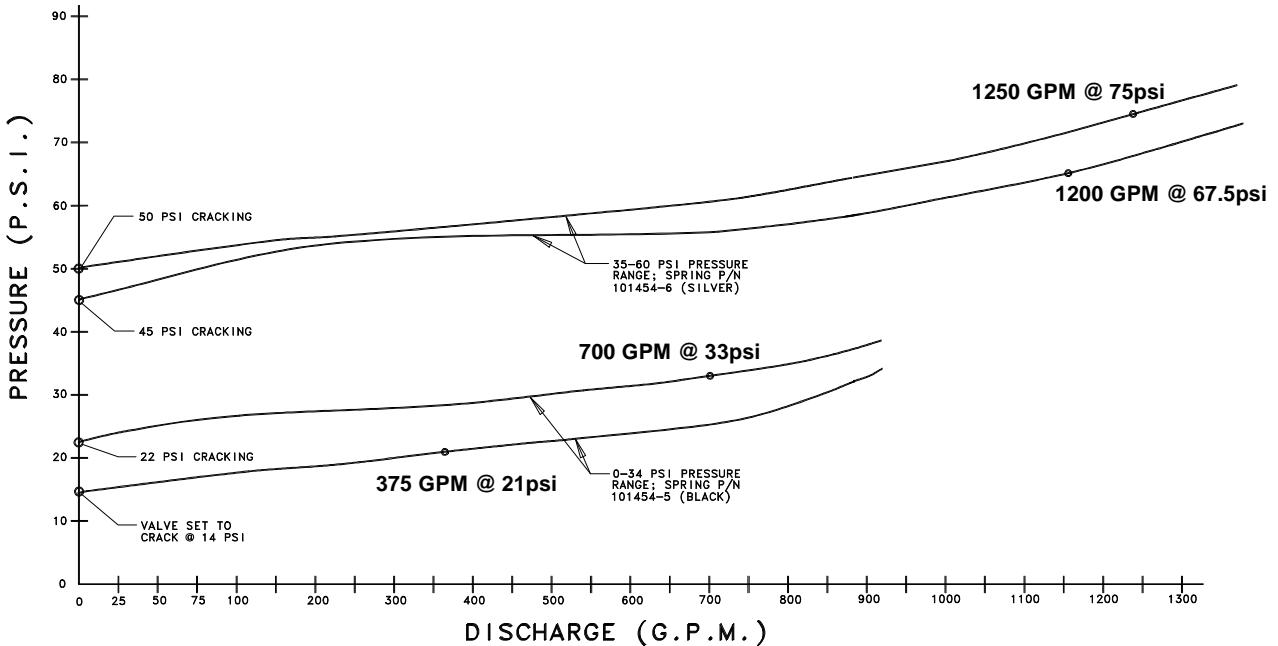
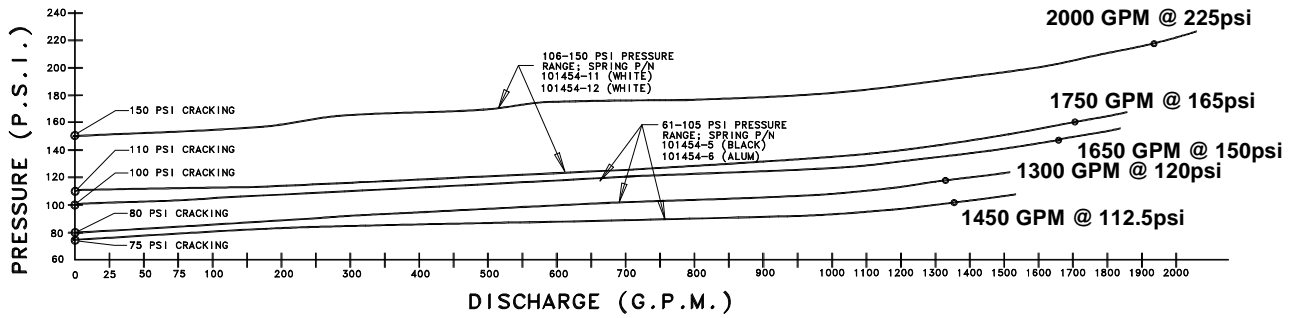
3" AA-96 DISCHARGE CURVES



Notes:

1. Graphs represent actual test results of Waterman pressure relief valves that were tested at Center for Irrigation Technology, Fresno State University, Fresno, California.
2. Performance of individual valves may vary 2 - 3 P.S.I. from that shown due to spring variations.
3. Pressure relief valves meet the requirements specified in SCS specification 430-EE, dated April 1982 & 430-DD, dated April 1982.

4" AA-96 DISCHARGE CURVES



Notes:

1. Graphs represent actual test results of Waterman pressure relief valves that were tested at Engineering Research Center, Colorado State University, Fort Collins, Colorado.
2. Performance of individual valves may vary 2-3 PSI from that shown due to spring variations.
3. Pressure relief valves meet the requirements specified in SCS specification 430-EE, dated April 1982 and 430-DD, dated April 1982.